

# NetMan 204

— NETWORK ADAPTER —

## QUICK REFERENCE INSTALLATION MANUAL

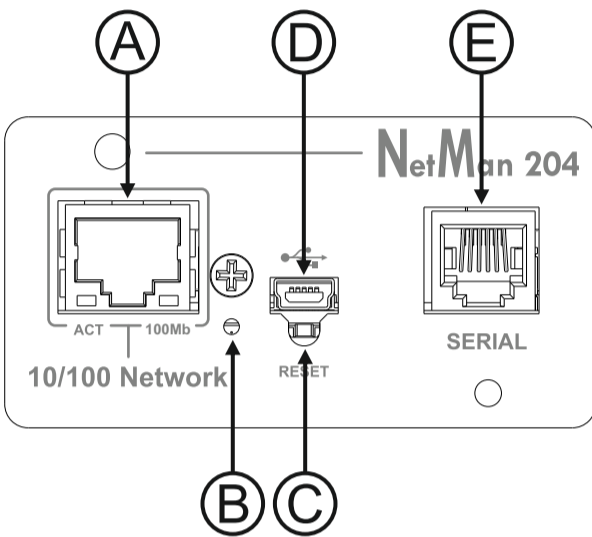
### DESCRIPTION

*NetMan 204* is a device that allows UPS management through a LAN (Local Area Network); the accessory supports all the main network protocols (SNMP v1 and v3, TCP/IP, HTTP and so on) and is compatible with Ethernet 10/100Mbps IPv4/6 networks. The UPS can therefore be integrated easily into medium and large-sized networks.

The device also records UPS values and events in the history log archive and can manage optional environmental sensors (not supplied with the device, but provided separately)

**i** NOTE: for the comprehensive user manual refer to the CD-ROM supplied.

### FRONT PANEL



- A: Network port
- B: Led
- C: Reset button
- D: Micro-USB port
- E: Serial port

### Network port

*NetMan 204* connects to 10/100 Mbps Ethernet networks by means of connector RJ45. The LEDs built into the connector describe the status of the network:

- Left LED:
  - SOLID YELLOW: *NetMan204* has detected a valid link.
  - FLASHING YELLOW: *NetMan204* is receiving or transmitting data packets.
- Right LED
  - SOLID GREEN: *NetMan204* is connected to a network operating at 100 Megabits per second.

### Micro-USB port

*NetMan 204* makes available an USB communication port through which it is possible to configure it (see paragraph “Configuration via USB”).

### Serial port

*NetMan 204* makes available a serial communication port to which you can connect environmental sensors (not supplied with the device, but provided separately) or a modem (not supplied with the device) for UPS teleservice.

### Led

This led describes the status of *NetMan 204*:

- SOLID RED: *NetMan 204* is not communicating with the UPS (verify PRTK Code).
- FLASHING RED: the DHCP server does not have assigned a valid IP address to *NetMan 204*.
- OFF: regular working.

### Reset button

The reset button allows to restart the *NetMan204* or to load a default configuration with a predefined static IP address.

**To reset *NetMan204*:** keep press the reset button until the red led start flashing (ca. 2 seconds) and then release it.

**To load a configuration with predefined static IP address:** keep press the reset button; first the led starts flashing, then turns to solid red (ca. 10 seconds). When the led is solid red, release the reset button and the *NetMan 204* will reboot with:

- IP address: 192.168.0.204
- Netmask: 255.255.0.0
- SSH service enabled
- HTTP service enabled

**i** HTTP and SSH service are enabled temporarily without changing the configuration saved in non-volatile memory.

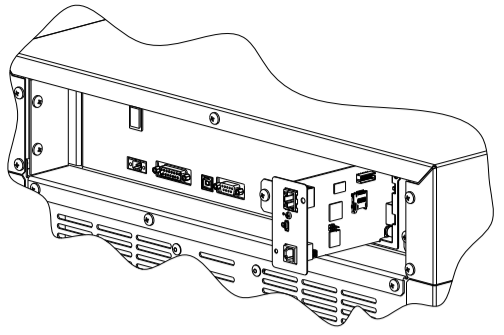
### USERS

It is possible to access to *NetMan 204* with three different users (admin / fwupgrade / user).

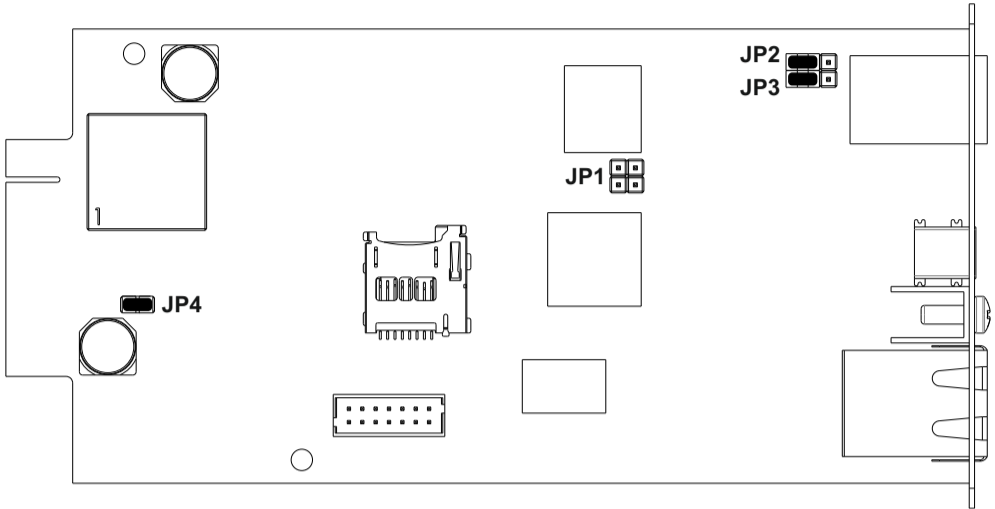
Username	Default password	Privileges
admin	admin	user with right to modify the configuration
fwupgrade	fwupgrade	user with right to upgrade the firmware
user	user	user with right to read and download the log files

## INSTALLATION

1. Remove the cover of the UPS expansion slot by removing the two retaining screws.
2. Insert *NetMan 204* in the slot.
3. Secure *Netman 204* in the slot using the two screws removed previously.
4. Connect the device to the network by means of connector RJ-45



## DEFAULT JUMPER SETTING



## CONFIGURATION

*NetMan 204* can be configured via USB, via SSH or via HTTPS.

**i** *NetMan204* comes provided as factory default with DHCP enabled and with the following services active: SSH, HTTP, SNMP, UDP and FTP.

In order to change the configuration of *NetMan 204*, you have to log in as admin (default password "admin").

**NetMan 204** needs approx. 2 minutes to become operational from when it is powered up or after a reboot; before this time the device may not respond to commands that are sent to it.

### Configuration via HTTPS

In order to change the configuration via https, you have to insert in your web browser the hostname or IP address of the *NetMan204* and then log in as admin (default password: "admin").

**i** The HTTP service uses TLS (transport layer security) in order to provide cryptographic security. However, the certificate used is self-signed and therefore the web browser may prompt a security alert; in this case you can ignore the alert and proceed with the configuration of *NetMan204*.

Once login has been effected, you can browse through the menus to configure the *NetMan 204*.



**i** In order to make a new configuration effective, it is necessary to confirm it (OK button for each configuration page changed) and then reboot the *NetMan 204* (as required with a pop-up by your web browser).

### Configuration via USB

To configure *NetMan 204* via USB it is necessary to:

- connect, with the USB cable provided, the micro-USB port with the USB port of a PC with Windows operating system;
- if not previously installed, install the USB driver present in the bundled CD (after driver installation, a virtual COM named "NetMan 204 Serial" will be present in device manager);
- execute a terminal emulation program with the following settings: 115200 baud, no parity, 8 databits, 1 stop bit, no flow control;
- press the "Enter" key of the PC;
- at the login prompt, enter "admin";
- at the password prompt, enter the current password (default password: "admin").

**i** During password's typing, no character is shown.

Once login has been effected, the screen of the start menu is displayed. From this screen it is possible to access the various menus to change *NetMan 204* settings.

### Configuration via SSH

To configure *NetMan 204* via SSH it is necessary to:

- execute a SSH client on a PC connected in a network to *NetMan 204* set with the IP address of the device to be configured;
- at the login prompt, enter "admin";
- at the password prompt, enter the current password (default password: "admin").

**i** During password's typing, no character is shown.

Once login has been effected, the screen of the start menu is displayed. From this screen it is possible to access the various menus to change *NetMan 204* settings.